

ASP-P6-36 60W SERIES

ELECTRIC CHARACTERISTICS

Model	ASP 60	ASP 75
Cell type	156 poly	156 poly
Max-power voltage Vmp(v)	17.2	18.3
Max-power current Imp(A)	3.49	4.10
Open- circuit voltage Voc(V)	21.7	22.4
Short-circuit current Isc(A)	3.97	4.43
Max-power Pm(w)	60	75
Dimension(mm)	780x670x30	780x670x30
Weight(Kg)	6	6

STC:Irradiance 1000W/m², Cell temperature 25 °C, AM=1.5

MECHANICAL CHARACTERISTICS

Tolerance	± 3%
No. of cells	36(4x9) solar
Junction box	IP65
Glass type	Low Iron,tempered glass,3.2mm

OPERATING CONDITIONS

Operating Temperature	-40~+85° C
Storage Temperature	-40~+85° C
Maximum System Voltage	DC1000V

TEMPERATURE AND COEFFICIENTS

NOCT	48° C ± 2° C
Temperarure coefficient of Voc (%/K)	-0.34
Temperarure coefficient of Isc (%/K)	-0.09
Power temperarure coefficient (%/K)	-0.37

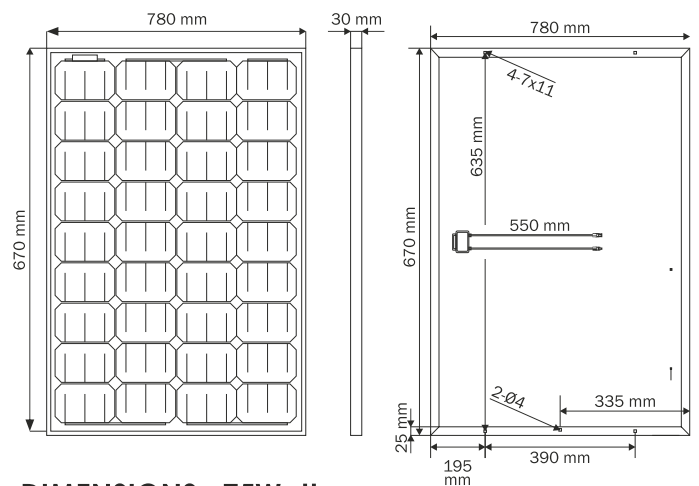
PACKING

Carton	5 pcs / carton
Loading Capacity	1320pcs/20,GP;2640pcs/40,GP

QUALITY & WARRANTY

Peak power of single module is guaranteed in ± 3%
2 years limited warranty on material and workmanship
Limited power warranty:10 years 90% and 25 years 80%
Limited warranty for minimum power output

DIMENSIONS : 60Watt



DIMENSIONS : 75Watt

